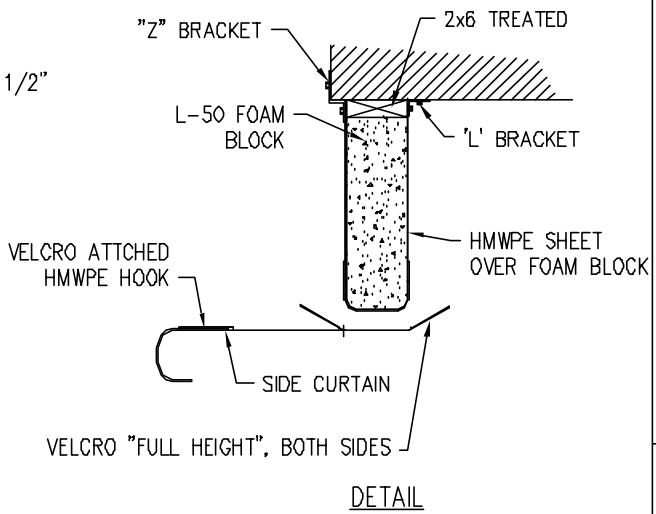
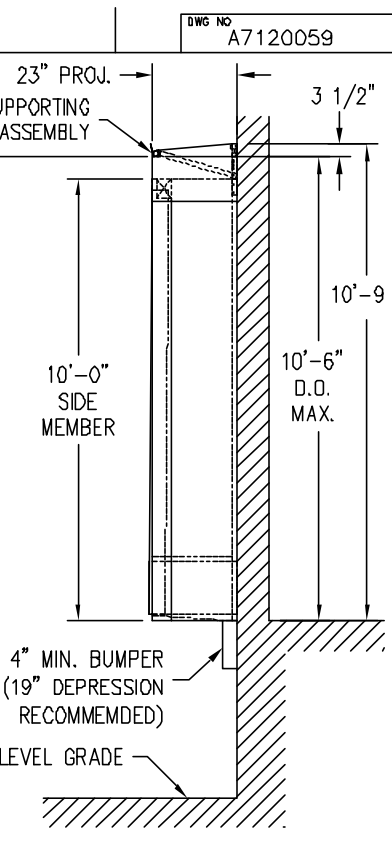
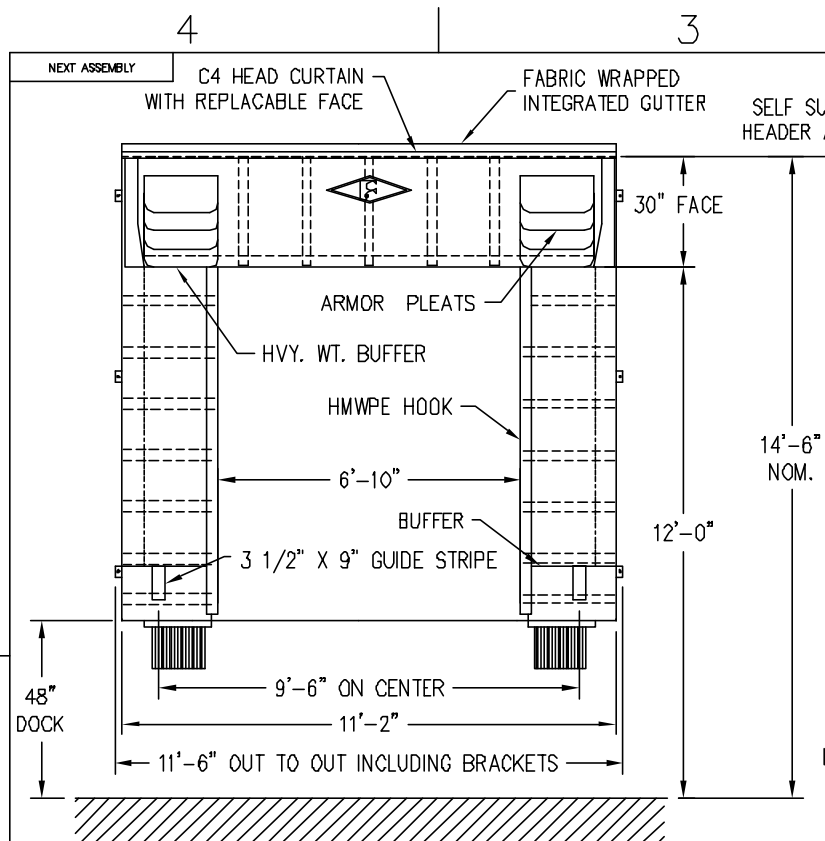
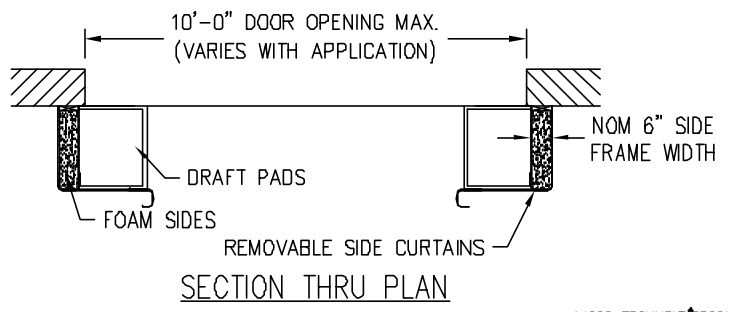


REVISION HISTORY					
REV	DESCRIPTION	ECN	DATE	BY	APPROVED
A	UPDATED TITLE BLOCK DESCRIPTION	05-003	01/31/05	CJD	



C4 STYLE CURTAIN: F119 40V, BLACK
 SIDE FRAME: F114 22 PLUS, BLACK
 SIDE CURTAIN: F119 40V, BLACK
 RECOMMENDED TRUCK COVERAGE: 12'-6" - 13'-6" HIGH X 8'-0" - 8'-6" WIDE



ITEM	QTY	PART NO.	DESCRIPTION
PARTS LIST / MATERIAL			

INCH TOLERANCES		DO NOT SCALE DRAWING	
OVER	UP TO	+	-
0	0.125	0.005	
0.125	0.25	0.010	
0.25	1.25	0.020	
1.25	5	0.030	
5	15	0.040	
15	40	0.080	
40	80	0.100	
80		0.125	
ANGLES	+/-	DEC	INITIAL ECN
FINISH	NONE		04-010
		DATE ISSUED	05/27/04
		REF	

FROMMELT PRODUCTS CORP.		TITLE	
ARCHITECTURAL APPROVAL		6/4/04	
610G SERIES SHELTER		DATE	
ELIMINATOR-GAPMASTER II - 6" BACKERS		DATE	
SIZE	MODEL NUMBER	DWG NO	REV
B	610G	A7120059	A
SCALE 3/8" = 1'		PART #	SHEET 1 OF 1